

Figure 14  
Plan of test pit 4

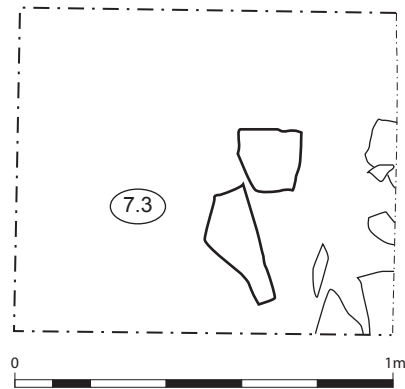


Figure 15  
Plan of test pit 7

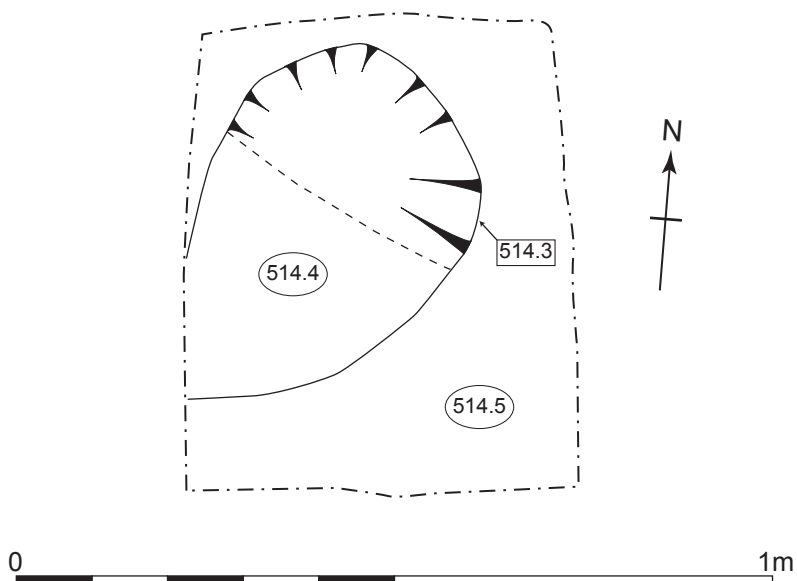


Figure 16  
Plan of shovel pit 514